



上海秦路实业有限公司  
SHANGHAI KINGLINK INDUSTRY CO., LTD



# 专注品质 用心服务 赢得未来

## QUALITY AND SERVICE FORGE THE FUTURE

上海秦路实业有限公司是中国知名的破碎筛分设备供应商。我们为客户提供全系列破碎筛分设备，包括高效复合圆锥破碎机，颚式破碎机，反击式破碎机，立轴冲击式破碎机，振动筛和成套碎石及制砂生产线。本公司已顺利通过 ISO9001:2008 国际质量管理体系认证和欧盟 CE 认证。

我们不仅为客户提供高性价比的产品，还提供一流的服务支持及解决方案。公司配备先进的 Solidworks 三维机械设计系统，培养了一支专业的技术与服务队伍，在全国各地设有办事机构，在不断扩大大国内市场占有率的同时，我们的产品也已经出口到俄罗斯、哈萨克斯坦、越南、老挝、泰国、菲律宾、马来西亚、印尼、古巴、多米尼加、巴西、委内瑞拉、哥伦比亚、秘鲁、智利、沙特、约旦、利比亚、赞比亚、刚果等多个国家和地区，因其优良的品质、实用的功能，适中的价格为国内外广大客户所接受。

我们坚持不断地创新，持续改进产品，不断提高产品的可靠性，我们深知成功取决于客户的信赖，立志成为破碎筛分行业的世界品牌。

SHANGHAI KINGLINK INDUSTRY CO., LTD is a renowned crushing and screening machinery equipment provider in China. We provide our clients with a whole series of crushing and screening machinery equipment, including hydraulic cone crusher, jaw crusher, impact crusher, vertical shaft impact crusher, vibrating screen and all complete set of stone crushing and sand making production lines. Our company successfully achieved ISO9001:2008 Quality Management Certificate and EU CE certificate.

Kinglink is able to offer products with high performance as well as quality service support and solutions to our customers home and abroad. We have cultivated a professional engineering team equipping with advanced mechanical design system and one efficient after-sales service team who can respond customers' concerns quickly.

Kinglink has already established the sales and service network at more than 30 provinces in China. As well, we have exported our equipment and plants to different countries and regions around the globe, including USA, Russia, Norway, Vietnam, Laos, Malaysia, Philippine, Peru, Brazil, Columbia, Libya, Zambia, Congo, South Africa, Saudi Arabia and Chile etc. Our products are well recognized by worldwide customers for our quality goods, competitive price and quick responding service.

We stick to innovation, constantly improve our product quality and reliability and strive to become a world renowned brand in the industry of crushing and screening machinery. We understand that our success relies on our clients' trust and confidence.





## 产品目录 Contents

- |   |  |
|---|--|
| <b>05</b> GZD/ZSW振动喂料机<br>GZD/ZSW Vibrating Feeder            | <b>21</b> 球磨机<br>Ball Mill   |
| <b>06</b> 板式给料机<br>Apron Feeder                               | <b>22</b> YK振动筛<br>YK Vibrating Screen                                       |
| <b>07</b> PE颚式破碎机<br>PE Jaw Crusher                           | <b>23</b> 2LSX/LSX/XSD洗砂机<br>2LSX/LSX/XSD Sand Washer                        |
| <b>08</b> PF反击式破碎机<br>PF Impact Crusher                       | <b>24</b> KL细砂回收系统<br>KL Sand Recovery System                                |
| <b>09</b> KPE液压颚式破碎机<br>KPE Hydraulic Jaw Crusher             | <b>25</b> 移动破碎站<br>Mobile Crusher Crushing Plant                             |
| <b>11</b> KPF液压反击式破碎机<br>KPF Hydraulic Impact Crusher         | <b>28</b> 皮带输送机<br>Belt Conveyor   |
| <b>13</b> KL复合圆锥式破碎机<br>KL Combined Cone Crusher              | <b>29</b> 花岗岩/玄武岩/河卵石碎石生产工艺<br>Granite/Basalt/River Stone Production Process |
| <b>15</b> KCS/KCH单缸圆锥破碎机<br>KCS/KCH Cone Crusher              | <b>30</b> 铁矿石破碎生产工艺<br>Iron Ore Crushing process                             |
| <b>17</b> HPY 多缸圆锥破碎机<br>HPY Cone Crusher                     | <b>31</b> 工厂展示<br>Our Factory  |
| <b>19</b> KL 冲击式破碎机<br>KL Vertical Shaft Impact Crusher       | <b>32</b> 配件系列<br>Wearing Parts  |
| <b>20</b> KL-2PGS液压双辊式破碎机<br>KL-2PGS Hydraulic Roller Crusher | <b>33</b> 现场案例<br>Project Case   |



## 引进新技术， 以达到制造零缺陷

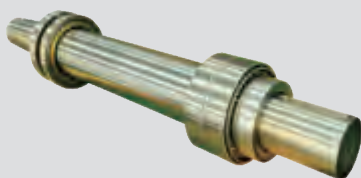
一流的产品是在良好的设计下一流的设备、材料、工艺制造出来的。上海秦路实业大部分设备均为最先进高精度的数控重型加工机械，精选世界一流材料及采用精益求精的制造工艺。

## Innovation of new technologies for manufacturing products with zero defect

Good products are always well designed and manufactured by utilizing first class facilities and materials. Thus, most of our CNC heavy machines are international brands with super precision and high automation. KINGLINK sticks to state-of-the-art workmanship and fabrication process.

### 精选材料

Meticulous Selection of Materials



传动轴配置高精度圆锥滚子轴承  
The drive shaft configure high precision tapered roller bearings



圆锥破碎机采用锻造用螺旋伞齿轮  
Forged alloy spiral bevel gears of cone crusher



具有德国西门子 802DS 电气系统的 Q (X) 5240 数控双柱立车  
Q (X) 5240 CNC double column vertical lathe equipped with German Siemens 802DS electrical system



沈阳第一机床的 TPX6213×56 数控落地铣镗床  
TPX6213 × 56 CNC Boring and Milling Machine from Shenyang NO.1 Machine Tool



CYK5225/6 数控双柱立式车床  
CYK5225 / 6 CNC double column vertical lathe



DVT250 × 16/16Q-NC 数控双柱立式车床  
DVT250 × 16/16Q-NC CNC double column vertical lathe

## 精工制造 Superior Manufacturing Process



热处理  
Heat Treatment



球面座精加工  
Spherical Seat Fine Finishing



本公司生产的喂料机系列分为激振式喂料机与直线式喂料机两种，激振式喂料机采用两台激振式电机，用户可自由调整喂料机的振动频率，从而完全控制石料的喂料速度，保证整条生产线的顺畅运行。直线振动式给料机，具有振动平稳，工作可靠，寿命长等特点。

Our feeders have two types: GZD vibrating feeder and ZSW linear feeder. GZD vibrating feeder has two motors by which users can adjust vibrating frequency freely so as to completely control feeding speed of stone materials. ZSW linear feeder creates vibration through two eccentric shafts that of stable vibration, reliable operation and long service life.

### 优势和特点

#### Advantages & Characteristics

- 栅条间隙可调
- Adjustable bar gap
- 进料速率可调
- Adjustable feeding rate
- 铆钉锁紧方式
- Rivet locking
- 特殊栅条可防止阻塞
- Special bars for preventing blocking

### 主要技术参数

#### Main Technical Parameters

型号 Model	料槽尺寸 Chute size (mm×mm)	最大进料粒度 Max. feed size (mm)	处理能力 Capacity (t/h)	偏心轴转速率 Eccentric shaft rotation speed (r/min)	电机功率 Power (kW)	重量 Weight (t)	外形尺寸 Overall dimension L×W×H (mm)
GZD-250×75	2500×750	300	50-80		1.5×2	1.29	2580×1430×600
GZD-300×90	3000×900	450	80-100		3.0×2	2.96	3050×1430×630
GZD-370×100	3700×1050	500	100-150		3.7×2	3.7	3980×1878×866
GZD-490×110	4900×1100	580	120-280		5.5×2	4	5200×1900×950
GZD-500×120	5000×1200	600	200-400		5.5×2	5.2	5450×2000×900
ZSW-380×96	3800×960	500	100-160	500-720	11	4.21	3882×1684×1340
ZSW-490×110	4900×1100	580	120-280	500-800	15	5.41	4957×1841×1365
ZSW-590×110	5900×1100	600	200-350	500-800	22	6.05	6000×1841×1365
ZSW-600×130	6000×1300	600	600-700	600-850	30	6.4	6000×2073×1384
ZSW-600×150	6000×1500	1000	600-700	600-850	37	7.05	6000×2231×1384

# 板式给料机

## Apron feeder



板式给料机广泛用于矿山、水泥、化工及冶金企业的采选、转运、配料等工艺过程中。适用于松散、块状、量大喂料工序，能运送大块，可在高温高湿恶劣环境中可靠工作。根据输送物料堆积密度和块度大小分为轻型、中型、重型板式给料机。

Apron feeder, a fixed feeder, is the accessory equipment for conveying machinery. Apron feeder is widely applied for short-distance conveying, especially for heavy, big and abrasive materials in harsh conditions and in the industries of metallurgy, mining, cement and chemical industry etc. It has three types: Light duty, Medium duty and Heavy Duty.

### 优势和特点

#### Advantages & Characteristics

- 给料均匀 • Well-distributed Feeding • 牵引力大 • Strong power
- 刚性好, 强度高 • Good rigidity, high strength • 合金制造, 耐磨性高 • Alloy made, wear resistant

### 主要技术参数

#### Main Technical Parameters

型号 Model	槽板宽度 width of chain plate (mm)	头尾轮轴 中心距 Distance of head and tail shafts (mm)	速度 Speed (m/s)	给料粒度 Feed size (mm)	处理能力 Capacity (t/h)	电机功率 Power (kW)	外形尺寸 Overall Dimension LxWxH (mm)	重量 Weight (t)
WBW100	1000	6000	0.01-0.1	≤500	80-160	11	8620×4960×1600	15
WBW120	1200	11000	0.01-0.1	≤600	50-100	15	11463×5029×2860	23.5
WBW125	1250	6000	0.014-0.8	≤650	45-150	11	8620×5240×1950	18.9
WBW140	1400	16000	0.006-0.06	≤700	20-200	22	18310×6447×2030	45.9
WBW150	1500	10500	0.006-0.06	≤700	61-610	22	12850×5595×1705	49.4
WBW160	1600	6000	0.017-0.17	≤800	≤500	22	8354×6099×2100	25.5
WBW180	1800	8000	0.022-0.046	≤800	30-320	37	10300×4295×3650	53
WBW220	2200	10000	0.018-0.055	≤1000	220-680	45	12650×4495×3350	80.4
WBW240	2400	10000	0.018-0.055	≤1200	220-680	45	12650×4695×3350	83.4
WBZ160	1600	9000	0.01-0.07	≤1000	≤500	30	11250×4153×2890	50
WBZ180	1800	8000	0.01-0.07	≤1000	≤500	37	10250×4353×2890	59
WBZ200	2000	9800	0.01-0.07	≤1000	≤700	45	12000×4553×2890	82
WBZ220	2200	10000	0.01-0.07	≤1200	≤800	45	12000×4753×2890	85
WBZ230	2300	10000	0.01-0.07	≤1500	≤850	55	12000×4853×2890	86
WBZ240	2400	10000	0.02-0.06	≤1600	550-900	2×37	12000×4953×2890	95
WBZ250	2500	11460	0.01-0.07	≤1800	100-1000	2×45	12000×5053×2890	105



本系列产品广泛运用于矿山、冶炼、建材、公路、铁路、水利和化工等众多部门。破碎抗压强度不超过350兆帕的各种物料，是成套破碎生产线中初级破碎的首选设备。

PE Jaw Crusher is widely used in various projects such as mining, metallurgy, construction material, highway, railway, water conservancy and chemical industry etc. for crushing materials with compression strength below 350Mpa. It is the preferred equipment as primary crusher for the complete crushing production line.

### 优势和特点

#### Advantages & Characteristics

- 短肘板      • Short toggle
- 大摆角      • Big swing angle
- 低悬挂      • Low hanging
- 维修方便      • Easy maintenance

### 主要技术参数

#### Main Technical Parameters

型号 Model	进料口尺寸 Size of feed opening (mm×mm)	最大进料粒度 Max. feed size (mm)	处理能力 Capacity (t/h)	偏心轴转速 Eccentric shaft rotation speed (r/min)	电机功率 Power (kW)	排料口调整范围 Adjustable range of discharge opening (mm)	重量 Weight (t)
PE-150×250	150×250	130	0.96-4.8	300	5.5	10-40	0.8
PE-250×400	250×400	210	5-30	300	15	20-60	2.8
PE-400×600	400×600	340	16-85	275	30	40-100	6.5
PE-500×750	500×750	425	45-130	275	55	50-100	10.1
PE-600×900	600×900	500	50-160	250	55-75	65-160	15.5
PE-750×1060	750×1060	630	52-180	250	110	80-140	28
PE-800×1060	800×1060	650	85-200	250	110	100-200	30
PE-870×1060	870×1060	670	180-220	250	110	200-260	30.5
PE-900×1200	900×1200	750	140-280	200	110-132	100-200	50
PE-1000×1200	1000×1200	850	160-390	200	110-132	195-265	51
PE-1200×1500	1200×1500	1020	300-780	180	160	150-300	83
PEX-250×750	250×750	210	8-30	330	22	25-60	4.9
PEX-250×1000	250×1000	210	16-68	330	30-37	25-60	6.5
PEX-250×1200	250×1200	210	20-78	330	37	25-60	7.7
PEX-300×1300	300×1300	250	20-118	330	55	20-90	11



# PF反击式破碎机

## PF Impact Crusher



本系列破碎机能处理粒度不大于300毫米、抗压强度不超过350兆帕的矿石、岩石，适用于粗破之后的二级破碎，可为高等级公路、水利、机场、建筑等行业生产优质混凝土骨料。

PF Impact Crusher are designed for crushing ores and rocks with particle size less than 300mm and compression strength no more than 350Mpa. It is suitable for secondary crushing to produce quality aggregates for constructions of highway, airport, water conservancy and building etc.

### 优势和特点

#### Advantages & Characteristics

- 硬岩破碎
- Crushing hard rock
- 液压或手动开启
- Hydraulic or Manual Opening
- 高铬板锤
- High Chrome Blow Bar
- 独特的反击衬板
- Impact plate with special shape

### 主要技术参数

#### Main Technical Parameters

型号 Model	进料口尺寸 Size of feed opening (mm×mm)	最大进料粒度 Max. feed size (mm)	处理能力 Capacity (t/h)	电机功率 Power (kW)	重量 Weight (t)	外形尺寸 Overall Dimension L×W×H (mm)
PF-1007	820×700	300	24-45	55	9.5	2400×1558×2660
PF-1010	1170×720	350	50-80	75	10	2520×1900×2200
PF-1210	1090×465	350	80-130	110	14	2638×2053×2810
PF-1214	1440×465	350	100-160	132	18	2580×2400×2810
PF-1315	1532×560	350	140-200	200	19.3	3007×2748×2556
PF-1316	1690×859	350	150-220	200	19.5	3096×2850×2667
PF-1320	2030×800	350	280-320	280	29.7	3280×3200×2613
PF-1515	1580×850	350	220-280	280	28.3	3550×2835×3217



### 优势和特点

#### Advantages & Characteristics

- 液压调整
- Hydraulic adjustment
- 破碎角度为锐角
- Acute angle crushing surface
- 油浸式稀油润滑
- Oil-immersed lubricants station
- 本体坚固
- Strong main frame

### 主要技术参数

#### Main Technical Parameters

型号 Model	进料口尺寸 Size of feed opening (mm×mm)	转速 Speed (R.P.M)	功率 Power (kW)	不同闭边排料口[in(mm)]的产量 (TPH)										重量 Weight (t)	
				The Capacity (TPH) of different Discharge size (mm)											
				50	70	80	100	125	150	200	225	250	300		
KPE-600 x 400	600 x 400	275	30~40	26	38	45	60	75							6.4
KPE-750 x 500	750 x 500	250	45~60	40	60	70	90	112	130						9.3
KPE-900 x 600	900 x 600	250	60~75			105	130	160	182						14.1
KPE-1050 x 650	1050 x 650	260	75~90				150	180	205	255					17.2
KPE-1050 x 750	1050 x 750	230	90~115				180	210	237	294					22.3
KPE-1200 x 800	1200 x 800	230	115~150				210	250	280	320	350				26.65
KPE-1200 x 1000	1200 x 1000	200	130~150					265	302	370	402				45
KPE-1350 x 800	1350 x 800	200	135~150				250	300	340	420	450				27.55
KPE-1500 x 1000	1500 x 1000	200	185~225					310	350	440	480	510			50.2
KPE-1500 x 1200	1500 x 1200	190	185~265						415	500	540	580	630		73.7

# KPE 液压颚式破碎机

## KPE Hydraulic Jaw Crusher

该系列破碎机进料口大，破碎腔深，可适用于破碎大量且大尺寸的石料。此型颚式破碎机特别建议用在石灰石，河卵石，坚硬的矿石和混凝土回收料等的初次破碎。

机体采用全焊接结构，经热处理后完全去除了焊接残余应力，特别坚固。国际知名品牌进口轴承，保证了机器重荷运行强度及稳定性，稀油润滑，延长轴承的使用寿命。

全液压装置可以快速简单地改变出料口间隙，精准调整符合要求的出料粒度。

KPE hydraulic jaw crusher has bigger feed opening and deeper crushing chamber which is suitable for big lumps & large quantities materials. It is especially recommended for primary crushing of limestone, river stone, tough ores, and concrete recycling etc.

The main frame is of all welded steel construction, heavy duty reinforced at major stress points after heating treatment. Imported top brand bearings and seals ensure strong and stable running of the machine with heavy load. The thin oil lubrication system increases service life of the bearings.

Fully hydraulic system enables simple & quick discharge gap adjustment to gain precise product distribution.

### 产品结构

#### Structure

#### 轴承

球面滚子轴承的高负载性可有效的增加使用寿命；油浸式稀油润滑，使得装置易于维修与操作

#### Bearings:

Spherical roller bearings suit heavy load running that service life is increased; Oil immersed lubricant facilitates maintenance and operation

#### 本体

以钢板组成并在焊接后经过退火处理，以提供坚固强韧的结构

#### Main frame:

Made of steel plate, heat treatment after welding to provide rigid and strong construction

#### 动定齿板&两侧衬板

齿板与衬板皆以高锰钢制作而成以提供更长的使用寿命

#### Jaw plates & cheek plates:

Made of high manganese casting which has long wear life

#### 活动座

以铸钢制作而成的活动座可消除及吸收不正常之振动

#### Swing jaw:

Made of casting steel which offer a good solution to abnormal vibration

#### 压臂&压臂座

给机器提供保护，防止不可破碎的物料进入破碎室造成损害

#### Toggle plates & toggle seats:

Protect the crusher from damage caused by uncrushable material in the crushing chamber.

#### 飞轮

两个飞轮皆用铸钢材质制作而成，并且相互平衡以消除振动

#### Flywheels:

Both flywheels are made of iron casting and counterbalanced to limit vibrating

#### 主轴

主轴是以铬钼合金钢制作而成，能吸收冲击之力量

#### Main shaft:

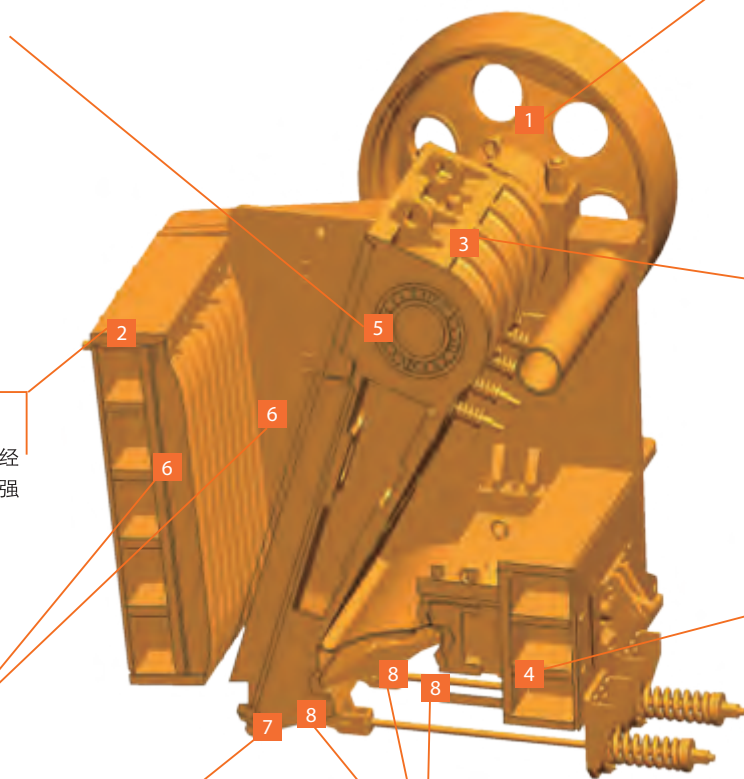
Made of chromium molybdenum alloy steel to absorb impact energy

#### 调整装置

全液压装置以提供快速与简便的间隙调整功能

#### Adjustment:

Full hydraulic system for gap settings quickly and easily





### 优势和特点

#### Advantages & Characteristics

- 液压清除装置
- Hydraulic curtain cleaning
- 液压全开式本体
- Fully hydraulic opening frame
- 液压开启装置
- Hydraulic opening device
- 液压调整排料口
- Hydraulic adjustable discharge

### 主要技术参数

#### Main Technical Parameters

型号 Model	转子直径 Diameter of Rotor (mm)	转子宽度 Width of Rotor (mm)	进料口尺寸 Size of feed opening (mm×mm)	功率 Power (kW)	不同闭边排料口[in(mm)]的产量 (TPH)						重量 Weight (t)
					The Capacity (TPH) of different Discharge size (mm)						
					76	63	51	38	25	19	
KPF1010	1020	914	930x800	55-75	135	120	110	94	80	60	10.3
KPF1012	1020	1143	1160x800	90-110	170	150	137	120	100	75	11.5
KPF1016	1020	1524	1540x800	110-132	215	186	160	145	116	95	13.35
KPF1408	1330	762	1065x778	55-75	173	152	140	121	102	76	11.4
KPF1410	1330	914	1065x930	90-110	209	184	169	145	124	92	13.9
KPF1412	1330	1143	1160x1065	132-160	261	230	211	184	155	116	16
KPF1416	1330	1524	1540x1065	185-220	422	382	344	303	254	193	19.5
KPF1420	1330	1848	1844x1065	185-220	548	496	448	394	330	250	22

# KPF 液压反击式破碎机

## KPF Hydraulic Impact Crusher

该系列破碎机具有45°的进料斜道，附有可更换的衬板，本体可以液压装置开启。厚实的板锤被固定块装置在可更换的固定座中。所有的衬板皆是可互换的。正向板锤锁固装置：确保更换板锤人员的安全性。该破碎机具有坚固，强韧的轴，可更换的板锤固定座，适用于各种矿石、岩石（如花岗岩、大理石、石灰石）等物料作业。生产出来的产品型状良好，针叶状比例低。

KPF hydraulic impact crusher has 45° feed chute with replaceable liners. The main frame can be opened by hydraulic device. Thick blow bars with locking tongue set into a replaceable backing bar seat. All curtain liners are interchangeable. Positive rotor lock for safety during blow bar changes. With solid and strong heavy-duty shaft and blow bar seat, this machine could be applied to crushing various rock materials like granite, marble and limestone etc. The final products are in good cubic shape, with low proportion of needle-like products.

### 产品结构

### Structure

#### 液压清除装置

清除尺寸过大的石料

#### Hydraulic clearing device

to clear out oversized rock

#### 进料口

所有的衬板可互换，本体可以液压开启快速更换配件

#### Feed entry:

All curtain liners are interchangeable; Hydraulic hood opening for quick wear plate replacement

#### 转子

具有坚固，强韧的轴，可更换的板锤固定座

#### Rotor:

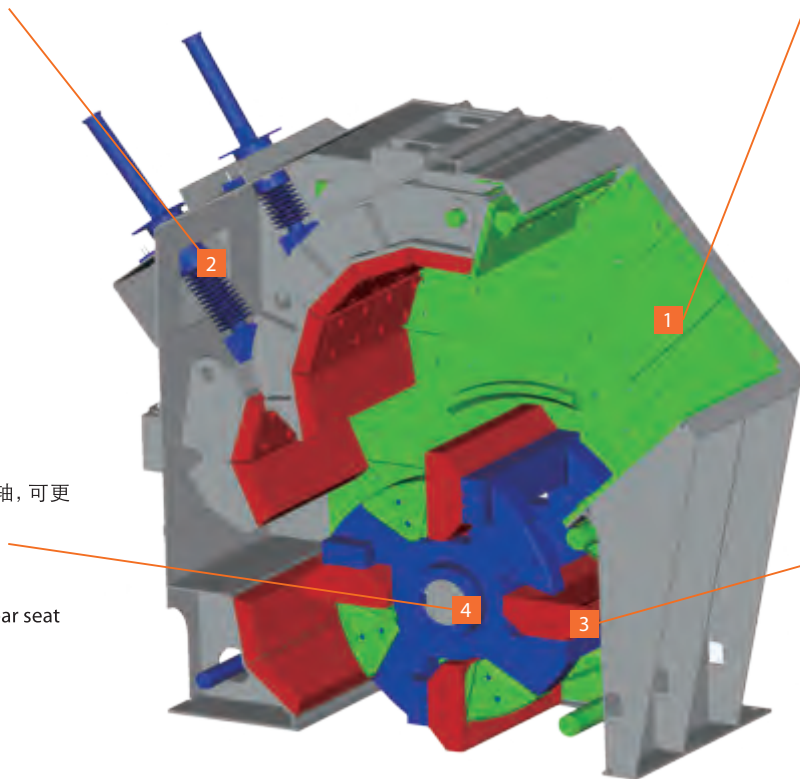
Heavy duty shaft, replaceable blow bar seat

#### 板锤

三爪或四爪板锤，可适用于多种破碎效果

#### Blow bar:

Three-Four Rows of Blow Bars are applied to various crushing effects



HOT



### 优势和特点

#### Advantages & Characteristics

- 结构新颖、独特、简单合理、运转平衡、运行成本低。锥破碎机本体均为铸钢结构，在重载部位高应力点设置有加强筋。
- 锥破碎机驱动轴两端装有圆锥滚子轴承，动力驱动由重载锥齿轮完成，轴承座采用骨架式密封圈防止润滑油泄漏。
- 锥破碎机均包含液压调整机构，便于快速调整锥破碎机排料口大小。
- 液压清腔机构是锥破碎机的标准配置，由放置在本体底板上的数个清腔油缸完成。
- 锥破碎机提供“弹簧式”过铁释放保护。
- 锥破碎机采用一套外置的包括油泵、油箱、管路的润滑系统。当油温过高或油流速过慢时将自动关闭破碎机
- New special design, simple and reasonable structure, smooth and stable running and low operation cost.
- Cone frame is cast steel structure; High pressure points are reinforced by hard steel
- Each side of drive-shaft is equipped with roller bearings. Bearing base uses seal ring to prevent lubricating oil leakage.
- Hydraulic adjustment devices. Convenient to adjust discharge opening size.
- Hydraulic release system consists of several hydraulic cylinders. Easy to release jammed materials.
- "Spring type" over-load protection. This release system allows uncrushable materials to pass through without causing damage.
- A complete lubricating oil circle system, including oil pump, oil reserve tank, oil pipeline, etc. If oil temperature is over high or oil flows slowly, the machine can be shut down automatically. This protection extends crusher's service life.

# KL复合圆锥式破碎机

## KL Combined Cone Crusher

### 主要技术参数

#### Main Technical Parameters

型号 Model	破碎直径 Diameter	最大给料尺寸 Max. feed size (mm)	最小排料口尺寸 Min of discharge size (mm)	转速 Speed	功率 Power (kW)	重量 Weight	闭边排料进口[mm]的产量[t/h] Capacity (t/h) in different discharge size (mm)									
							6	10	13	16	19	22	25	38	51	64
KLC600	600	95	10	630	37-55	5.3		20	25	30	35	45	50	76		
KLF600	600	72	6	630	37-55	5.3	18	20	25	30	35	40	45	60		
KLC1000	1016	160	13	630	90-110	10.8			70	90	125	135	160	215		
KLM1000	1016	115	10	630	90-110	10.8		55	65	70	90	120	135			
KLF1000	1016	80	8	630	90-110	10.8	47	50	60	67	90					
KLC1160	1143	180	13	630	110-132	16			105	120	135	160	180	220		
KLM1160	1143	130	10	630	110-132	16		72	92	105	135	150	170			
KLF1160	1143	90	10	630	110-132	16		70	90	100	125					
KLC1300	1296	200	16	610	132-160	23				135	160	180	200	290	350	
KLM1300	1296	150	13	610	132-160	23			105	125	135	160	180			
KLF1300	1296	102	10	610	132-160	23		80	105	135	140					
KLC1380	1372	215	19	610	185-220	27					180	200	230	310	400	
KLM1380	1372	160	16	610	185-220	27				130	160	180	200			
KLF1380	1372	115	13	610	185-220	27			135	170	190	210				
KLC1500	1524	235	22	560	220-250	37.8					210	245	290	380	480	530
KLM1500	1524	175	19	560	220-250	37.8					195	234	250	295		
KLF1500	1524	130	13	560	220-250	37.8			170	190	220	230	250			
KLC1680	1676	267	22	560	250-300	44.3						300	350	475	600	660
KLM1680	1676	203	16	560	250-300	44.3				210	250	280	300			
KLF1680	1676	140	13	560	250-300	44.3		170	205	240	310					

### 产品结构

#### Structure

轧臼壁和破碎壁为高锰钢铸件，液压装置操作方便  
Concave and Mantle High manganese steel casted; Hydraulic device is easy to operate

小齿轮和大齿轮，高强度高精度，确保设备平稳运行  
Pinion gear and Eccentric drive gear with high strength and high precision, ensure stable operation of the machine

传动轴总成有铜套保护，拆卸维修方便  
Transmission shaft assembly is protected by bronze bushing and easy to be dismantled for maintenance

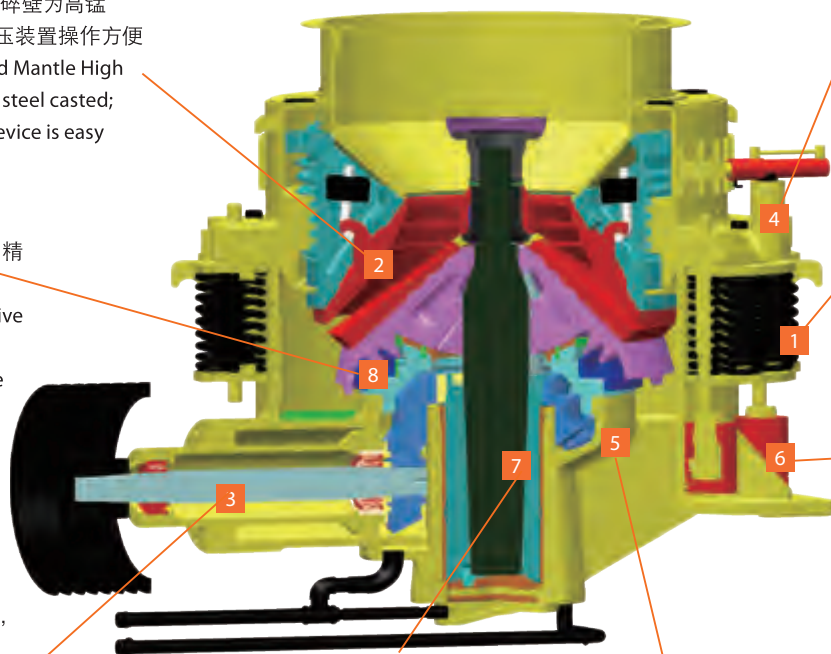
主轴  
淬火的铬钼钢，能适应重载要求  
**Main shaft**  
Forged and tempered chrome molybdenum steel suits heavy-duty application

采用液压调节装置，方便调节出料口大小。  
Adoption of hydraulic adjusting device is convenient for regulation of discharge opening.

高质量弹簧，负荷保护  
High quality springs and overload protection

如有异物进入破碎机，液压清腔装置可以去除异物，保护机器  
Hydraulic cleaning device could remove the foreign objects and protect the machine

高质量的铜套能承受高冲击负荷，可以在严酷的环境下工作。  
High quality copper socket liner can bear high crushing load, and allows the machines working under rigorous working condition.





### 优势和特点

#### Advantages & Characteristics

- 高性能低运行成本
- High Performance Lowest Total Cost
- 全面自动控制
- Full Auto-Control Process
- 适应用户多种需求
- Excellent Versatility
- 易于操作和维护
- Easy to Operate and Maintain

### 主要技术参数

#### Main Technical Parameters

型号 Model	最大进料粒度 Max. feed size (mm)	闭边排料口 css range (mm)	处理能力 Capacity (t/h)	电机功率 Power (kW)	重量 Weight (t)
KCH420	29-135	4-35	25-130	90	5.3
KCH430	35-185	5-41	35-220	132	9.2
KCH440	38-215	8-44	65-415	220	14.3
KCH660	50-275	13-51	145-660	315	24.2
KCS420	200-240	19-38	70-170	90	6.8
KCS430	235-360	19-51	90-345	132	12.0
KCS440	300-450	25-54	195-600	220	19.3
KCS660	500-560	38-83	320-1050	315	35.7



# KCS/KCH圆锥式破碎机

## KCS/KCH Cone Crusher

KCS/KCH圆锥破碎机为单缸液压结构,设计先进,机体紧凑破碎能力强。其破碎效率高而且能生产出极好粒形的产品。紧边排矿口(CSS)通过液压调整,用户可以选择自动控制、多种不同的破碎腔型及其他许多高性能特征。每种型号都可适应用户的多种需求,易于使用维护且作业率高。

KCS/KCH Cone crusher is advance designed hydraulic single-cylinder structure with compact body. It has higher crushing efficiency to produce products of excellent grain shape. The tight discharge CSS is hydraulically adjusted, and the user could choose other high-performance functions like auto control, different crushing cavities etc. Each model could meet various requirements from customers, it is very user friendly and easy for maintenance.

### 产品结构 Structure

特殊合金锰钢衬板使用寿命更长

Long life from liners of special alloy manganese steel.

过载自动保护系统为标准配置

KCH crushers have automatic overload protection system as standard

破碎机内部的自润滑密封圈可使其免受粉尘侵入

The interior of the crusher is protected from dust by a self-lubricating seal ring as standard

下架体臂架装有特殊合金钢制成的衬板

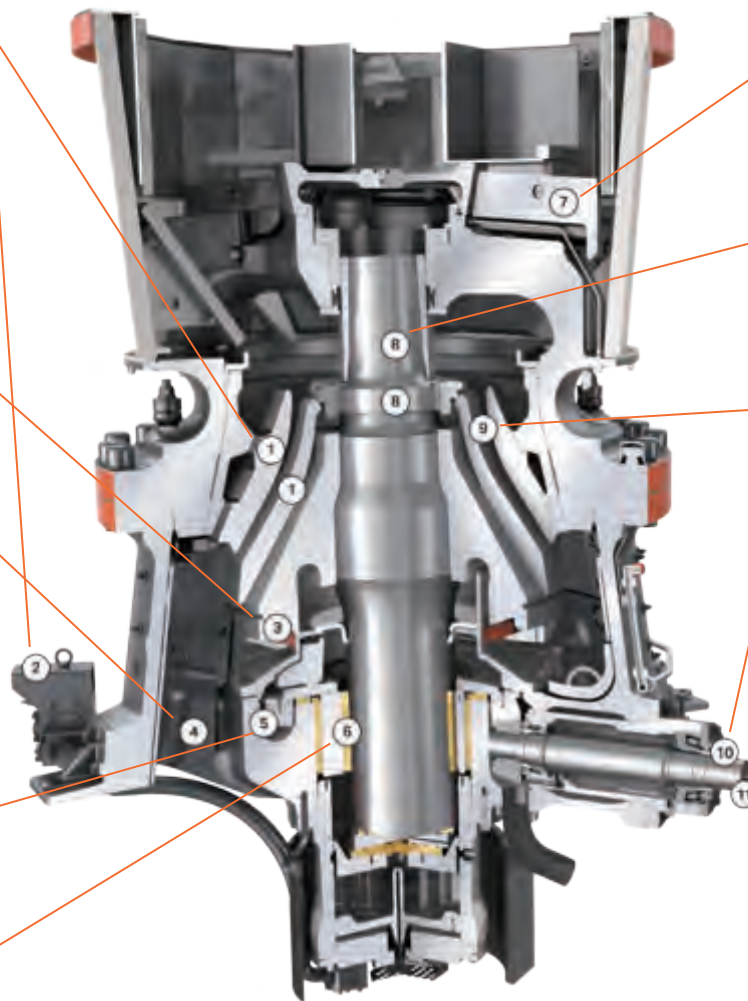
The bottom shell arms have liners of special alloy steel.

经过表面淬硬的螺旋斜齿齿轮,使破碎机工作更安静,传动效果更高,齿轮寿命更长

Quiet operation and long life thanks to bevel gears with hardened, spiral-cut teeth.

通过调整破碎机的偏心衬套,可优化产品粒度曲线和生产能力

Product curve and capacity can be optimized by adjusting the eccentric bushing supplied with the crusher.



具有大给料口,上臂架由两个特殊合金钢护板保护,有效防止磨损

Large feed opening. The two top-shell arms are protected against wear by robust liners of special alloy steel.

可更换的主轴袖套及双面螺母对主轴提供充分保护

Mainshaft protected by replaceable sleeve and inner headnut.

CLP 破碎腔设计使给料口和生产能力在衬板整个寿命周期内保持不变

CLP crushing chamber design maintains feed opening capacity throughout the entire life of the liners

易于调整齿轮间隙

Easy adjustment of gear back lash.

水平轴采用重型坚固设计。水平轴及其轴承箱为一体型结构,不需拆开破碎机就可拆装。

Robust design of the pinion shaft assembly. The pinion shaft and its bearings are built as a single unit which can be removed without taking the crusher apart.

# HPY多缸圆锥式破碎机

## HPY Cone Crusher



### 优势和特点

#### Advantages & Characteristics

- 安装和运行成本低
- Low installation and running cost
- 全面自动化
- Full Automation
- 广泛的适用性
- Wide Application
- 产量高
- High productivity

### 主要技术参数

#### Main Technical Parameters

型号 Model	腔型 Cavity	最小排料口 Min of discharge size (mm)	给料口 feed size (mm)	功率 Power (Kw)	重量 Weight (t)	闭边排料进口[mm]的产量[t/h] Capacity (t/h) in different discharge size (mm)													
						6	8	10	13	16	19	22	25	32	38	45	51		
HPY200	X	13	95	160	11.4	55-75	60-90	80-115	110-145	130-170	140-180	150-190	160-210	180-230	200-245				
	Z	16	120																
	C	19	190																
HPY300	X	13	105	220	17.4	80-95	100-130	110-140	145-185	175-220	190-240	200-260	220-280	240-320	290-380	340-440			
	Z	16	150																
	C	19	215																
	CC	25	230																
HPY400	X	13	110	315	24.5		115-150	130-175	180-230	220-280	240-320	260-340	280-370	310-430	350-490	400-550	450-620		
	Z	20	200																
	C	25	250																
	CC	30	300																
HPY500	X	16	135	400	34.4		140-170	170-220	225-290	270-350	310-400	335-430	355-450	395-530	435-600	500-680	560-760		
	Z	22	210																
	C	30	290																
	CC	38	330																
HPY800	X	16	220	630	63			235-330	300-420	370-500	420-540	450-590	480-710	530-780	580-920	560-1000	750-1150		
	Z	25	265																
	C	32	300																
	CC	38	350																

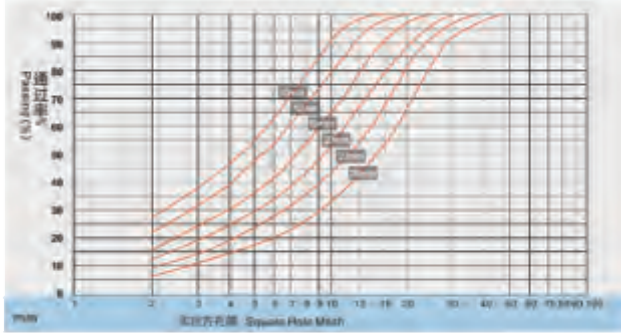
# HPY多缸圆锥式破碎机

## HPY Cone Crusher

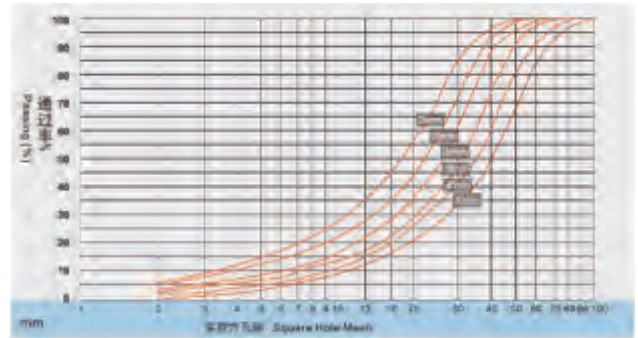
### 粒度曲线

Granularity Curve

细碎作业粒度曲线 Granularity Curve Of Fine Crushing Work

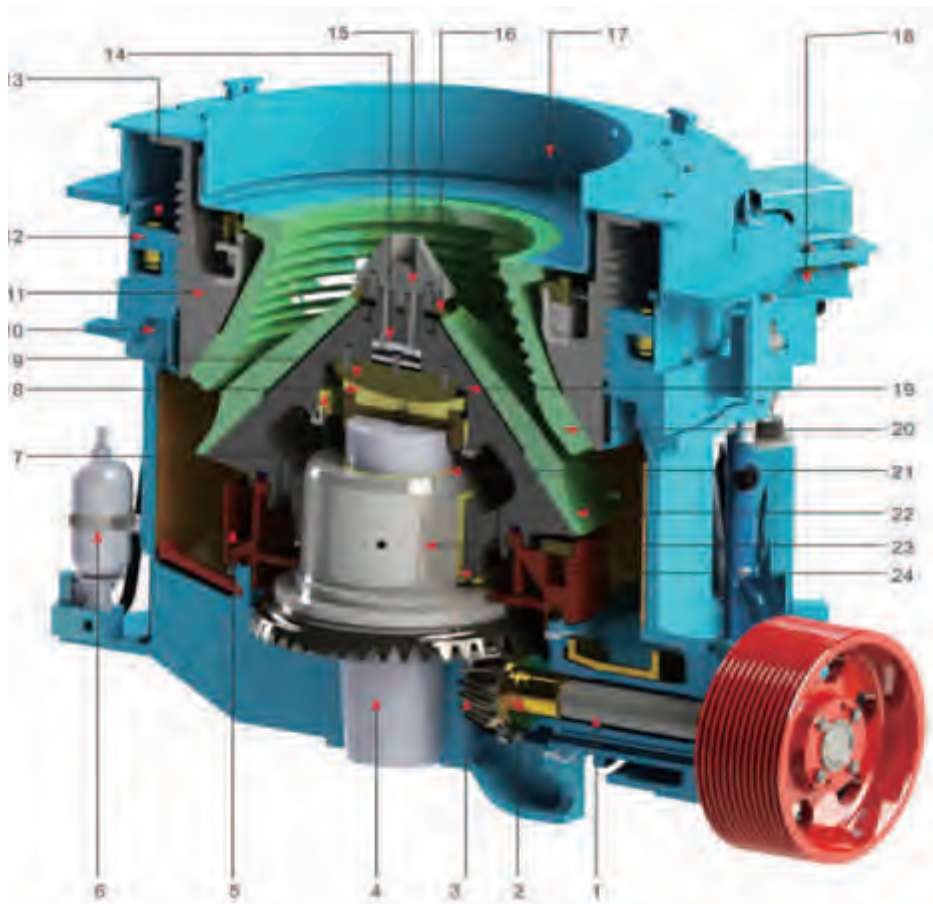


中碎作业粒度曲线 Granularity Curve Of Secondary Crushing



### 产品结构

Structure



- |         |         |           |          |                        |                      |                    |                       |
|---------|---------|-----------|----------|------------------------|----------------------|--------------------|-----------------------|
| 1-传动轴   | 7-动锥上衬套 | 13-锁紧缸    | 19-躯体    | 1-Countershaft         | 7-Upper Head Bushing | 13-Lock Cylinder   | 19-Head center        |
| 2-传动轴套  | 8-球面瓦   | 14-锁紧螺钉   | 20-轧白壁   | 2-Countershaft bushing | 8-Socket             | 14-Lock Screw      | 20-Concave            |
| 3-大、小齿轮 | 9-球面轴承  | 15-压帽     | 21-主轴衬套  | 3-Gear/Pinion          | 9-Spherical Bearing  | 15-Feed Plate      | 21-Main Shaft Bushing |
| 4-主轴    | 10-主机架  | 16-切割环    | 22-破碎壁   | 4-Main Shaft           | 10-Frame             | 16-Cutting Ring    | 22-Mantle             |
| 5-平衡圈   | 11-调整套  | 17-给料斗    | 23-偏心套   | 5-Balance Ring         | 11-Adjusting Ring    | 17-Feed Hopper     | 23-Eccentric Sleeve   |
| 6-蓄能器   | 12-支撑套  | 18-液压调整马达 | 24-动锥下衬套 | 6-Accumulator          | 12-Support Ring      | 18-Hydraulic Motor | 24-Lower Head Bushing |



KL系列立轴冲击式破碎机广泛用于金属和非金属矿石、水泥、耐火材料、铝矾土、金刚砂、建筑材料、人工造砂的细碎，特别对中硬、特硬物料比其他类型的破碎机更具有优越性。

KL Vertical Shaft Impact Crusher is widely applied to fine crushing for materials like metal and nonmetallic ores, concrete, fireproof materials, bauxite, silicon carbide, construction materials and artificial sand etc. Comparing with other crushers, VSI crusher has advantages in processing materials of mid-hardness and ultra-hardness.

### 优势和特点

#### Advantages & Characteristics

- 转子、腔型设计独特 ● Specific design of rotator and cavity
- 减少粉尘弥散 ● Reduces dust dispersion
- 成砂率高、产品粒型好 ● High proportion of Sand with good shape
- 处理量大 ● High capacity

### 主要技术参数

#### Main Technical Parameters

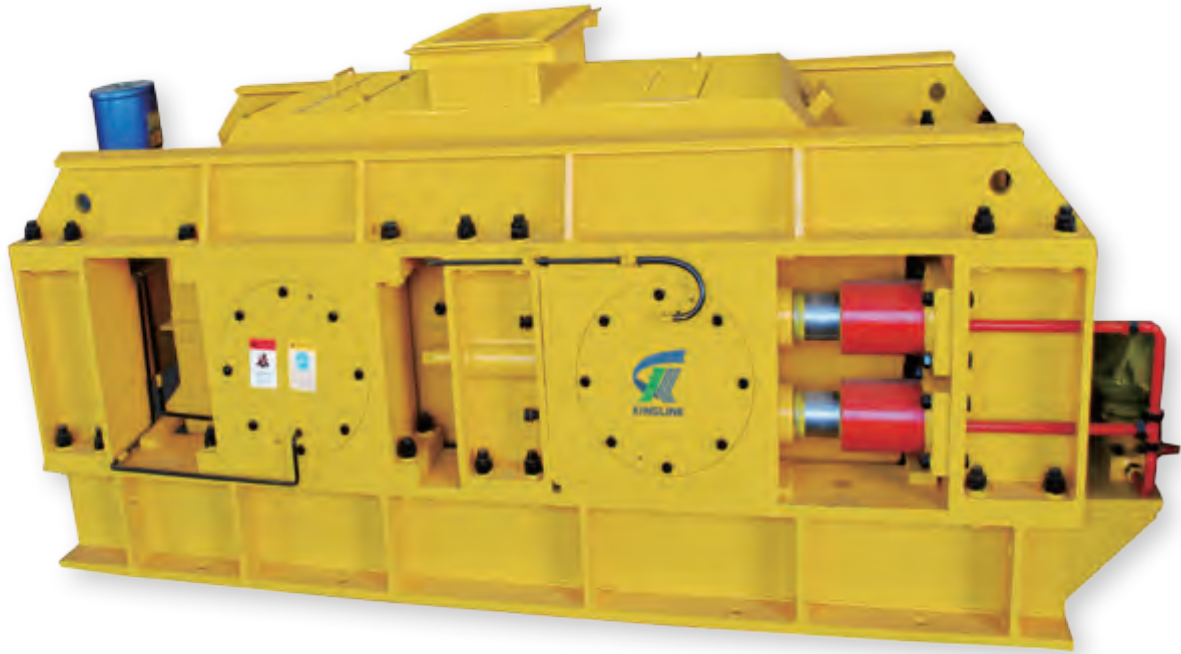
型号 Model	最大进料粒度 Max. feed size (mm)	处理能力 Capacity (t/h)	电机功率 Power (kW)	转子转速 Rotation speed (r/min)
KL-5	30	20-60	30-45(单电机 Single motor)	2258-2600
KL-7	35	55-120	55-110(单电机 Single motor)	1775-2050
KL-8	50	113-240	150-264(单、双电机 Single or dual motor)	1460-1720
KL-10	60	220-380	320-500(双电机 Dual motor)	1242-1460
KL-12	60	300-380	500-630(双电机 Dual motor)	850-1150

注：处理量的确定以充分连续供给抗压强度 $\leq 150\text{MPa}$ 的灰岩，松散密度为 $1.6\text{t/m}^3$ 。

Remarks: The above throughput is decided on the base of adequately and continuously feeding the limestone with compressive strength  $\leq 150\text{MPa}$  and loose density  $1.6\text{t/m}^3$ .

# KL-2PGS液压双辊式破碎

## KL -2PGS Hydraulic Roller Crusher



KL-2PGS液压辊式破碎机适用于矿业、建材、化工、冶金等行业, 可对各种矿石、岩石、焦炭、煤块、炉渣、矿渣、水泥熟料、耐火材料等中等硬度以下物料进行中、细碎作业。

KL-2PGS series hydraulic roller crusher is widely used for secondary and fine crushing in the industries of mining, building materials, chemical industry, metallurgy and so on. It is applicable to crush materials with middle hardness such as rocks, ore, coke, lump coal, slag, mineral slag, cement clinker, fireproof materials, and so on.

### 优势和特点

#### Advantages & Characteristics

- 液压控制系统 • Hydraulic controlling system
- 使用寿命长 • Long service life
- 传感技术 • Sensor system
- 性能稳定 • Superior performance

### 主要技术参数

#### Main Technical Parameters

型号 Model	辊子直径 Roller size (mm)	最大进料粒度 Max. feed size (mm)	排料口调整范围 Adjustable range of discharge opening (mm)	处理能力 Capacity (t/h)	减速机 Reducer	电机功率 Power (kW)	重量 Weight (t)	外形尺寸 Overall dimension L×W×H (mm)
KL-2PGS800	800	40	2-8	15-30	ZQ50-12.64	18.5×2	7.5	2180×2936×1130
KL-2PGS1000	1000	60	2-8	20-50	ZLY224-20	30×2	10.5	2894×3773×1285
KL-2PGS1200	1200	80	2-8	40-60	ZLY280-20	55×2	18.6	3444×3537×1448
KL-2PGS1500	1500	75	2-8	70-90	ZLY335-20	90×2	27.5	4133×3970×1760
KL-2PGS1800	1800	80	2-8	80-120	ZLY400-20	110×2	44	4860×4208×2050
KL-2PGS2000	2000	120	2-15	100-180	ZLY450-20	132×2	55	5100×4950×2500



球磨机是物料破碎之后, 再进行粉碎的关键设备。球磨机广泛应用于水泥, 硅酸盐制品, 新型建筑材料、耐火材料、化肥、黑色与有色金属选矿以及玻璃陶瓷等生产行业, 对各种矿石和其它可磨性物料进行干式或湿式粉磨。

Ball mill is the key equipment for grinding after the crushing process. It is widely used in the manufacturing industries such as cement, silicate, new building materials, fireproof material, fertilizer, metal and nonmetallic ore and glass ceramics etc. The grinding may be carried out either through the dry process or the wet process.

## 优势和特点

### Advantages & Characteristics

- 设计独特 • Unique design
- 加工物料种类多 • Applicable to crush various materials
- 出粉细度可控 • Controllable powder fineness
- 使用寿命长 • Long service life

## 主要技术参数

### Main Technical Parameters

型号 Model	转速 Rotation speed (r/min)	装球量 Ball load (t)	给料粒度 Feed size (mm)	出料粒度 Output size (mm)	处理能力 Capacity (t/h)	电机功率 Power (kW)	重量 Weight (t)
Φ900×1800	36-38	1.5	≤20	0.075-0.89	0.65-2	18.5	4.6
Φ900×3000	36	2.7	≤20	0.075-0.89	1.1-3.5	22	5.6
Φ1200×2400	36	3	≤25	0.075-0.6	1.5-4.8	30	12
Φ1200×3000	36	3.5	≤25	0.074-0.4	1.6-5	37	12.8
Φ1200×4500	32.4	5	≤25	0.074-0.4	1.6-5.8	55	13.8
Φ1500×3000	29.7	7.5	≤25	0.074-0.4	2-5	75	15.6
Φ1500×4500	27	11	≤25	0.074-0.4	3-6	90	21
Φ1500×5700	28	12	≤25	0.074-0.4	3.5-6	130	24.7
Φ1830×3000	25.4	11	≤25	0.074-0.4	4-10	130	28
Φ1830×4500	25.4	15	≤25	0.074-0.4	4.5-12	155	32
Φ1830×6400	24.1	21	≤25	0.074-0.4	6.5-15	210	34
Φ1830×7000	24.1	23	≤25	0.074-0.4	7.5-17	245	36
Φ2100×3000	23.7	15	≤25	0.074-0.4	6.5-36	210	34
Φ2100×4500	23.7	24	≤25	0.074-0.4	8-43	245	42
Φ2100×7000	23.7	26	≤25	0.074-0.4	8-48	280	50
Φ2200×4500	21.5	27	≤25	0.074-0.4	9-45	280	48.5
Φ2200×6500	21.7	35	≤25	0.074-0.4	14-26	370	52.8
Φ2200×7000	21.7	35	≤25	0.074-0.4	15-28	380	54
Φ2200×7500	21.7	35	≤25	0.074-0.4	15-30	380	56



本系列振动筛的运动轨迹呈圆周，是专门为采石场筛分料石设计的，也可供选煤、选矿，建材、电力及化工部门等做产品分级用。本公司产品具有结构先进，激振力强，振动噪音小，易于维修，坚固耐用等特点。

YK series vibrating screen works in circular motion, is specially designed for quarry to separate crushed stone material into different sizes, and is also used as a grading machine in coal dressing, ore dressing, construction material, electric and chemical industries. It features in advanced structure, strong vibrating force, low noise, easy maintenance and durability.

## 优势和特点

### Advantages & Characteristics

- 筛面呈15°倾斜 • Screen slope degree 15° • 高张力边板 • High strength side plate
- 铆钉锁紧结构 • Rivet locking structure • 橡胶弹簧使起动平稳 • Stable starting by adopting rubber springs

## 主要技术参数

### Main Technical Parameters

型号 Model	筛面层数 Screen deck	筛面规格 Screen size (mm)	最大进料粒度 Max. feed size (mm)	处理能力 Capacity (t/h)	振动频率 Vibrating frequency (Hz)	电机功率 Power (kW)	重量 Weight (t)	外形尺寸 Overall dimension LxWxH (mm)
3YK-1245	3	1200×4500	200	15-80	16.2	11	4.807	5600×1800×1850
2YK-1548	2	1500×4800	200	30-180	13-16	15	5.8	5804×2316×1280
3YK-1548	3	1500×4800	200	30-200	13-16	15	6.866	5959×2316×1700
4YK-1548	4	1500×4800	200	30-250	13-16	18.5	7.36	6087×2616×2050
2YK-1854	2	1800×5400	250	50-300	16.2	18.5	6.769	6513×2554×1340
3YK-1854	3	1800×5400	250	50-300	16.2	22	8.285	6670×2554×1770
4YK-1854	4	1800×5400	250	50-300	16.2	30	9.796	6801×2562×2150
2YK-2160	2	2100×6000	250	100-400	16.2	30	9.68	7373×2885×1493
3YK-2160	3	2100×6000	250	100-400	16.2	30	10.206	7542×2885×1958
4YK-2160	4	2100×6000	250	100-400	16.2	37	11.8	7688×2885×2358
2YK2460	2	2400×6000	300	150-600	16.2	30	10.2	7373×3185×1493
3YK-2460	3	2400×6000	300	150-600	16.2	30	12.35	7542×3185×1958
4YK-2460	4	2400×6000	300	150-600	16.2	37	13	7688×3185×2358
2YK-3070	2	3000×7000	400	200-700	16.2	60	11	8025×3750×1803
3YK-3070	3	3000×7000	400	200-700	16.2	60	14	8225×3750×2353
4YK-3070	4	3000×7000	400	200-700	16.2	60	17	8385×3750×2800



洗砂机是配合制砂机使用的高效洗砂设备，它具有洗净度高，结构合理，处理量大，细砂流失少，故障低等特点。两种型号产品专为砂石，石英砂等的洗选，分级，脱水而优化设计，各具特色。

Sand washer is developed and produced to remove impurities in sand products according to actual situations of sandstone industry. Cooperating with VSI sand maker, these two models sand washers have functions of cleaning, dewatering and grading. They have features of high cleaning degree, proper structure, large processing capacity and low breakdown rate etc.

### 优势和特点

#### Advantages & Characteristics

- 结构简单合理 • Simple and Reasonable structure
- 处理能力大 • Huge processing capacity
- 维修方便 • Easy maintenance
- 适应各种工作环境 • Suitable to various working condition

### 主要技术参数

#### Main Technical Parameters

LSX 螺旋洗砂机系列 LSX Screw Sand Washer series

型号 Model	螺旋直径 Screw diameter (mm)	水槽长度 Length of tube (mm)	入选粒度 Selected size (mm)	处理能力 Capacity (t/h)	螺旋转速 Screw rotation speed (r/min)	电机功率 Power (kW)	耗水量 Water consumption (t/h)	重量 Weight (t)	外形尺寸 Overall dimension L×W×H (mm)
LSX915	915	7585	≤10	100	21	11	10-80	6.2	8500×2950×1930
2LSX915	915	7585	≤10	200	21	2×11	20-160	11.5	8420×3765×2030
LSX1115	1115	9782	≤10	175	17	15	20-150	10.9	10970×3945×4720
2LSX1115	1115	9782	≤10	350	17	2×15	40-300	17.94	10970×5250×4720

XSD 轮式洗砂机系列 XSD Wheel Sand Washer series

型号 Model	转轮直径 Wheel diameter (mm)	入选粒度 Selected size (mm)	处理能力 Capacity (t/h)	功率 Power (kW)	重量 Weight (t)	外形尺寸 Overall dimension L×W×H (mm)
XSD2610	2600	≤10	50	7.5	2.68	3320×2125×2670
XSD3016	3000	≤10	80	15	3.26	3810×2686×3085
XSD3620	3600	≤10	150	18.5	4.3	4500×3206×3485



# KL细沙回收系统

## KL Sand Recovery System



KL细沙回收系统是我公司引进国外的先进技术，结合国内的具体情况设计的具有世界先进水平的细沙回收系统，对0.16mm的细沙回收的有效率高达95%以上，是人工制砂、制砂生产线、洗选生产线、砂石骨料加工系统等不可或缺的设备。

KL Sand recovery system is designed based on world advanced technologies. It could reach 95% efficiency for recovering 0.16mm sand and it is indispensable equipment in artificial sand production line, aggregates processing system etc.

### 优势和特点

#### Advantages & Characteristics

- 采用聚氨酯筛网 • Utilizes polyurethane screen • 筛网不易堵孔 • Screen uneasy to be blocked
- 节约成本 • Cost savings • 高效环保 • High efficiency & Environmental friendly

### 主要技术参数

#### Main Technical Parameters

型号 Model	处理量 Capacity (t/h)	总功率 Power (kW)	筛面规格 Screen Size (mm)	外形尺寸 Overall dimension L×W×H (mm)
KL300	50-80	17.2	900 × 2000	5000 × 1500 × 2700
KL400	70-120	21.5	1000 × 2400	5400 × 1600 × 2830
KL600	100-220	26.4	1200 × 2400	5000 × 1800 × 3000
KL800	200-400	27.4	1500 × 3000	6000 × 1900 × 3400



轮胎式系列移动破碎站是我公司开发推出的系列化新颖的岩石破碎设备,大大拓展了粗碎、细碎作业概念领域。它的设计理念宗旨是站在客户的立场,把消除破碎场地、环境、繁杂基础配置给客户破碎作业带来的障碍,作为首要的解决方案。真正为客户提供简捷、高效、低成本的项目运营硬件设施。

Mobile jaw crusher plant is developed according to novel series stone crushing equipment's design idea, which expands the concept field of coarse crusher and fine crushing. Its design idea is based on the client's requirements, which removes the barriers result from the crushing place, surroundings and the complex basic configurations. This series mobile crusher plant really supply simpler, higher efficient and lower cost machines for clients.

### 优势和特点

#### Advantages & Characteristics

- 破碎比大
- high crushing ratio
- 产品粒度均匀
- Even final particles
- 维修简便
- easy maintenance
- 运营费用低
- Low operation cost

### 主要技术参数

#### Main Technical Parameters

型号 Model	KL938E69	KL1142E710	KL1349E1012
给料机型号 Vibrating Feeder	ZSW380 × 96	ZSW420 × 110	ZSW490 × 130
颚破型号 Jaw crusher	PE600 × 900	PE750 × 1060	PE1000 × 1200
皮带机型号 Belt conveyor	B650 × 7M	B800 × 9M	B1000 × 12M
轮胎配置 Tyre configuration	并装双轴 Double axles	并装三轴 Three axles	并装四轴 Four axles
处理量(吨/小时) Capacity(t/h)	50~150	80~230	180~380
功率 Power(kW)	91.5	134	146
最大进料 The maximum Feeding size(mm)	500	630	850
出料口调整范围 Discharge opening size(mm)	65~160	80~140	195~265
外形尺寸(长×宽×高) Dimensions(LxWxH) (mm)	13200×3100×4600	15000×3300×5800	17000×3500×5800
重量(吨) Weight(t)	42.6	55.6	73.6

# 反击式移动破碎站

## Mobile Impact Crusher Crushing Plant



轮胎式系列移动破碎站是我公司开发推出的系列化新颖的岩石破碎设备,大大拓展了粗碎、细碎作业概念领域。它的设计理念宗旨是站在客户的立场,把消除破碎场地、环境、繁杂基础配置给客户破碎作业带来的障碍,作为首要的解决方案。真正为客户提供简捷、高效、低成本的项目运营硬件设施。

Mobile impact crusher plant is developed according to novel series stone crushing equipment's design idea, which expands the concept field of coarse crusher and fine crushing. Its design idea is based on the client's requirements, which removes the barriers result from the crushing place, surroundings and the complex basic configurations. This series mobile crusher plant really supply simpler, higher efficient and lower cost machines for clients.

### 优势和特点

#### Advantages & Characteristics

- 大处理量
- High capacity
- 高效、经济
- Efficiency, economy
- 适应性强
- High adaptability
- 自载输送机
- Self-loading conveyor

### 主要技术参数

#### Main Technical Parameters

型号 Model	KL3S1548F1010	KL3S1854F1210	KL3S1860F1214	KL3S2160F1315
振动筛 Screen model	3YA1548	3YA1854	3YA1860	3YA2160
反击破型号 Impact crusher	PF1010	PF1210	PF1214	PF1315
皮带机型号 Belt conveyor	B500 × 7M	B650 × 7M	B650 × 8M	B800 × 8M
轮胎配置 Tyre configuration	并装双轴 Double axles	并装双轴 Double axles	并装三轴 Three axles	并装三轴 Three axles
处理量(吨/小时) Capacity(t/h)	30~100	56~120	65~180	81~220
功率 Power(kW)	70~90	128.5~150.5	154~190	210~297
最大进料 The maximum Feeding size(mm)	350	350	350	350
外形尺寸(长×宽×高) Dimensions(LxWxH) (mm)	12500×2800×6000	12500×3000×6500	13500×3000×6500	14000×3200×6800
重量(吨) Weight(t)	42	46	51	57



轮胎式系列移动破碎站是我公司开发推出的系列化新颖的岩石破碎设备,大大拓展了粗碎、细碎作业概念领域。它的设计理念宗旨是站在客户的立场,把消除破碎场地、环境、繁杂基础配置给客户破碎作业带来的障碍,作为首要的解决方案。真正为客户提供简捷、高效、低成本的项目运营硬件设施。

Mobile cone crusher plant is developed according to novel series stone crushing equipment's design idea, which expands the concept field of coarse crusher and fine crushing. Its design idea is based on the client's requirements, which removes the barriers result from the crushing place, surroundings and the complex basic configurations. This series mobile crusher plant really supply simpler, higher efficient and lower cost machines for clients.

### 优势和特点

#### Advantages & Characteristics

- 大处理量
- High capacity
- 中、细强力破碎
- Medium and fine crushing
- 适应性强
- High adaptability
- 自载输送机
- Self-load belt conveyor

### 主要技术参数

#### Main Technical Parameters

型号 Model	KL3S1548P90	KL3S1848C100	KL3S1854C116	KL3S1860C130	KL3S2160C138
振动筛 Screen model	3YA1548	3YA1848	3YA1854	3YA1860	3YA2160
圆锥破型号 Cone crusher model	PYB900	KLC1000	KLC1160	KLC1300	KLC1380
皮带机型号 Belt conveyor	B500 × 7M	B650 × 7M	B800 × 7M	B800 × 8M	B800 × 8M
轮胎配置 Tyre configuration	并装双轴 Double axles	并装双轴 Double axles	并装双轴 Double axles	并装三轴 Three axles	并装三轴 Three axles
处理量(吨/小时) Capacity(t/h)	50~90	65~150	115~260	150~390	200~440
功率 Power(kW)	75	134	160~165	190	260
最大进料 The maximum Feeding size(mm)	115	160	180	200	215
最小排料口 Min of discharge size(mm)	12	13	13	16	19
外形尺寸(长×宽×高) Dimensions(LxWxH) (mm)	13000×2800×6400	13000×3000×6700	13000×3000×6700	14000×3000×6700	14000×3200×6700
重量(吨) Weight(t)	43	47	50	53	58

# 皮带输送机系列

## Belt Conveyor



皮带输送机广泛地应用在矿山、冶金、煤炭等部门，用来输送松散物料或成件物品。根据输送工艺要求，可以单台输送，也可多台组合或与其它输送设备组成水平或倾斜的输送系统，以满足不同布置型式的作业线需要。皮带输送机可在环境温度-20~+40℃的范围内使用，输送物料的温度在50℃以下。

This series belt conveyor is widely used in mining, metallurgy industry to transport both of bulk materials and end products. According to different technology it can be used in single, multiple or combined with other equipments to form horizontal or incline transportation system to satisfy different production line arrangement needs. It works with environment temperature range -20℃--+40℃, material temperature below 50℃.

### 优势和特点

#### Advantages & Characteristics

- 结构简单
- Simple structure
- 适应各种工作环境
- Adapt to various working condition
- 处理能力大
- Large capacity
- 维修方便
- Easy maintenance

### 主要技术参数

#### Main Technical Parameters

胶带宽度 Belt width (mm)	输送长度/功率 Belt length(m)/Power(kW)			输送速度 Belt speed (m/s)	处理能力 Capacity (t/h)
B400	≤12/1.5	12-20/2.2-4	20-25/3.5-7.5	1.3-1.6	40-80
B500	≤12/3	12-20/4-5.5	20-30/5.5-7.5	1.3-1.6	80-190
B650	≤12/4	12-20/5.5	20-30/7.5-11	1.3-1.6	130-320
B800	≤6/4	6-15/5.5	15-30/7.5-15	1.3-1.6	280-550
B1000	≤10/5.5	10-20/7.5-11	20-40/11-22	1.3-2	440-850
B1200	≤10/7.5	10-20/11	20-40/15-30	1.3-2	660-1200

### 工艺简述:

花岗岩、玄武岩等硬质石料从山上爆破下来，通过自卸车将小于 1020mm 的石料送入振动给料机，振动给料机把石料均匀的送入颞式破碎机，颞式破碎机对石料进行第一段破碎，经颞破破碎后的石料在 50mm--250mm 左右，通过皮带机将物料送入高效复合圆锥破碎机进行第二段破碎，破碎后的物料经过振动筛分级筛分，大于 40mm 的物料重新返回圆锥破破碎，40mm 以下的物料由皮带输送机送入整形机整形。整形后的成品经过振动筛分级筛分，由皮带输送机输送至成品区。

### 工艺特点:

产品质量优异，针片状含量<5%。

与反击式破碎机作为中碎破碎工序的工艺线相比，产量提高50%。

圆锥破碎机作为中碎破碎使用，整个工艺过程，易损件消耗量大幅度降低。

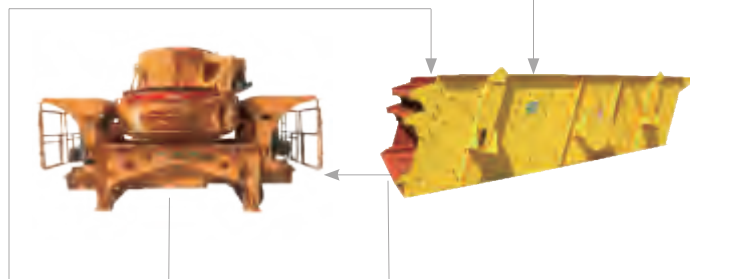
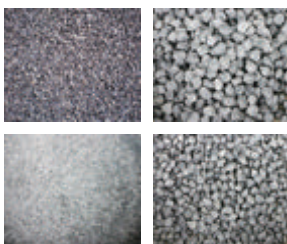
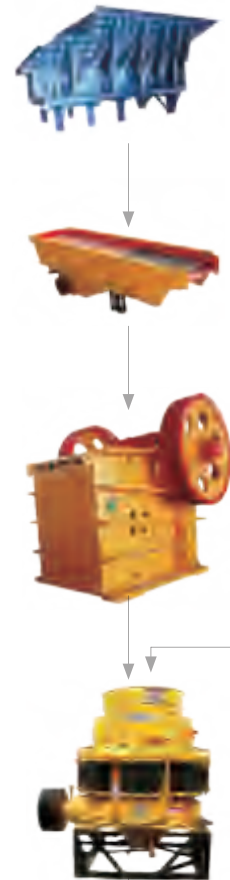
### 工艺简易流程图:

#### Process Description

Hard stone such as granite, basalt blasting down from the mountain, the raw materials will be fed into the vibrating feeder by the dump truck. Vibrating feeder will continuously feed raw stones into the jaw crusher. Jaw crusher makes the primary crushing. The general size of stones crushed after jaw crusher is around 50mm--250mm. The crushed stones from jaw crusher are fed into combined cone crusher by belt conveyor for secondary crushing. The crushed stones will be screened through a vibrating screen. The stones with size bigger than 40mm will be sent back to combined cone crusher to be crushed again. The stones less than 40mm will be sent to vertical shaft impactor by belt conveyor for shaping. Shaped products will be screened and separated by vibration screen, and then transported by belt conveyor to the finished products area.

#### Process characteristics

- Excellent product quality, flake & needle shape content <5%.
- Comparing processing to use impact crusher as secondary crushing, cone crusher's production increased by 50%.
- Cone crusher as secondary crushing, the consumptions of wearing parts are reduced distinctly.



# 铁矿石破碎生产工艺

## Iron Ore Crushing process

### 工艺简述:

在矿山企业的生产经营活动中，生产工艺流程与企业经济效益密切相关。企业要创造好的经济效益的有效途径：一是企业生产上规模；二是选择好的生产工艺流程。选钢厂较常见的有两段破碎流程与三段破碎流程。两段破碎流程又分为两段开路和两段闭路。此流程只适用于地下开采办法的小型矿山，其总破裂比不大，普通在 15—25 左右，破碎矿石量也不多，经常小于 1000 吨 / 日。首先大块的铁矿石原料同过料斗由给料机均匀地送入颚破进行初次破碎。初破之后，物料由皮带机输送至圆锥破进行二次破碎。二次破碎之后这些物料再被送入振动筛进行分离。分离之后，符合标准的部分将成为最终产品，其余物料则需再次进入圆锥破进行破碎，并形成一闭路循环模式。成品粒度可根据客户特殊要去进行控制和分级。

### 工艺特点:

- 提高了选矿回收率和产品的品质。
- 流程简单，投资小，成本低，效益好。
- 降低了球磨机的功耗和铁损，提高了磨机产能，节约选矿成本。

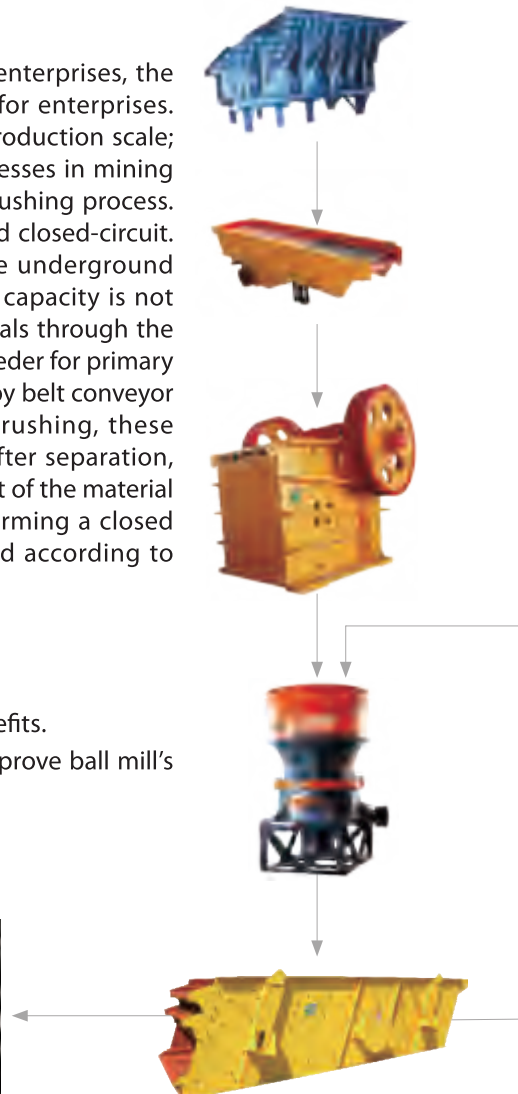
### 工艺简易流程图:

#### Process Description

During the production and business activities in the mining enterprises, the production process is closely related to the efficient profits for enterprises. The effective ways for enterprises to create good profits: (1) production scale; (2) a good design of the production process. The normal processes in mining enterprises are two-stage crushing process and three-stage crushing process. The two-stage crushing process is divided into open-circuit and closed-circuit. These processes are only appropriate way to the small-scale underground mining site, in small crushing ratio about 15-25, its crushing capacity is not big, often less than 1000 tons / day. Firstly, iron ore raw materials through the hopper are continuously fed into the jaw crusher by vibrating feeder for primary crushing. After primary crushing, the materials are transported by belt conveyor to cone crusher for secondary crushing. After secondary crushing, these materials are sent to the vibrating screen to be separated. After separation, standards-compliant parts will be the final products, and the rest of the material would be re-sent the cone crusher for crushing again, and forming a closed circuit. The final products sizes can be separated and graded according to customer special request.

#### Process characteristics

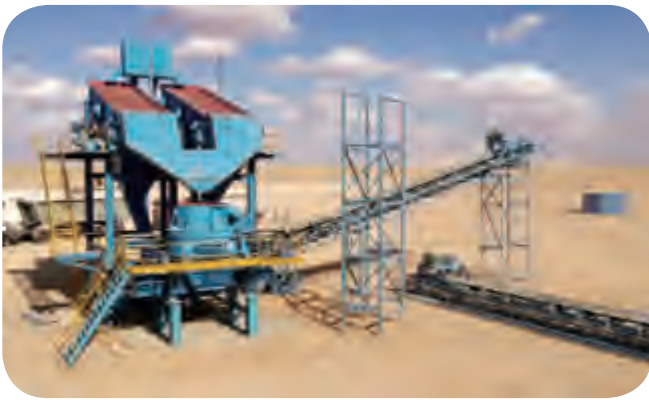
- Improve mineral recovery efficiency and product quality.
- Simple process line, small investment, low cost, excellent benefits.
- Reduce power consumption and iron loss of the ball mill, Improve ball mill's capacity, Save processing costs.















Quality and Service Link the world

“幸福都是奋斗出来的”—— 习近平

## 上海秦路实业有限公司

地址：上海市浦东新区沈梅路 123 弄 3 号楼

电话：+86-21-2095 8317

传真：+86-21-2095 9271

手机：+86-15601968455

邮箱：info@kinglink-china.com

网站：www.kinglink-china.cn

## SHANGHAI KINGLINK INDUSTRY CO LTD

Address: Building 3, Lane 123, Shenmei Road,  
Pudong District, Shanghai, China

Tel: +86-21-2095 8317

Fax: +86-21-2095 9271

Mobile: +86-15601968455

Email: info@kinglink-china.com

Web: www.kinglink-china.com